

ROPEWALK



CHARLES ROSE ARCHITECTS



CHARLES ROSE ARCHITECTS



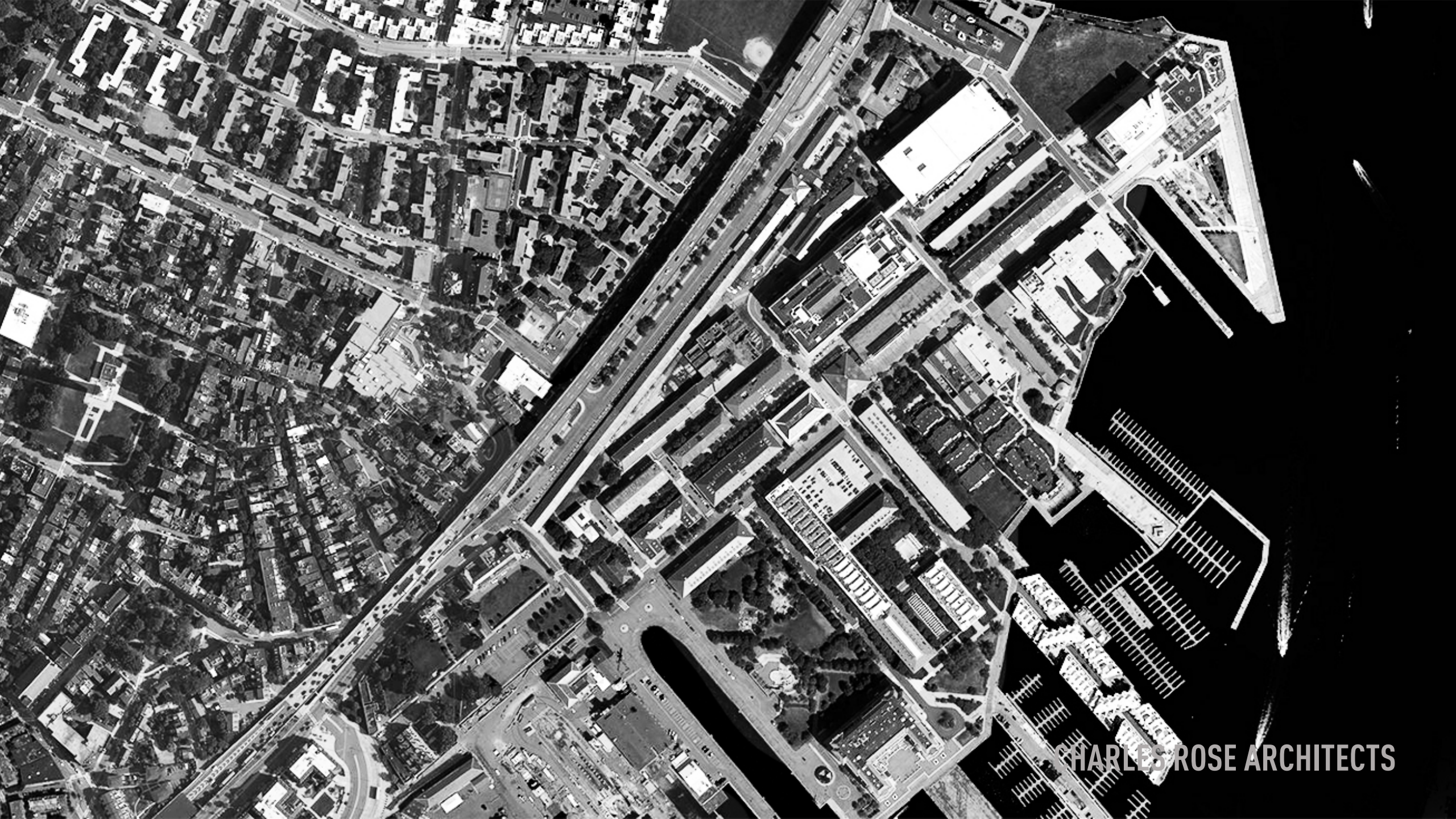
CHARLES ROSE ARCHITECTS



CHARLES ROSE ARCHITECTS



CHARLES ROSE ARCHITECTS



CHARLES ROSE ARCHITECTS



CHARLES ROSE ARCHITECTS



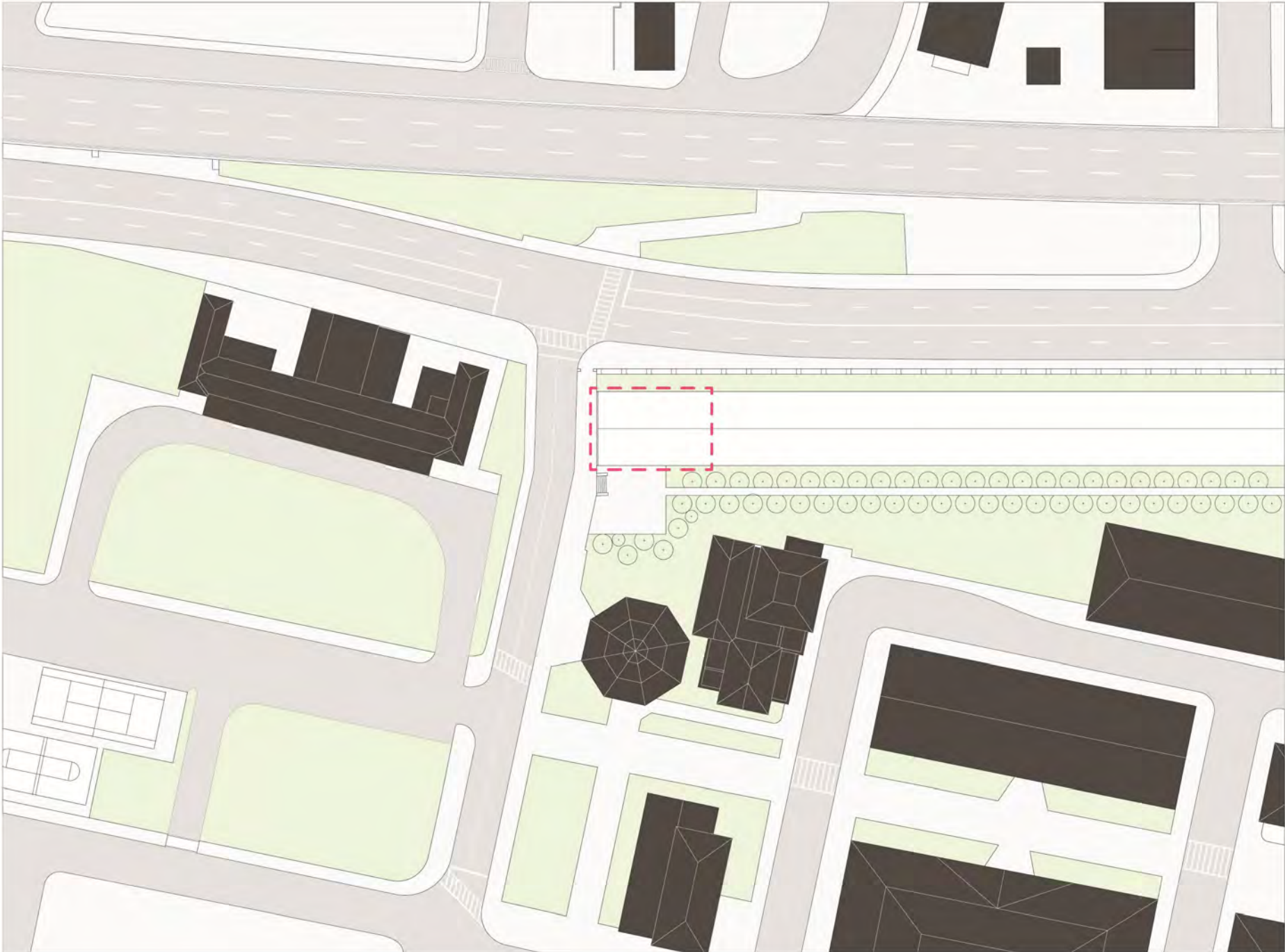
CHARLES ROSE ARCHITECTS



CHARLES ROSE ARCHITECTS



CHARLES ROSE ARCHITECTS





CAFE

WORKSHOPS

CONCERT

HIGH SCHOOL MUSIC GROUP

MUSIC

MUSEUM COMPONENT

COMMUNITY MEETINGS

BOYS AND GIRLS CLUB

GALLERY

LECTURE SERIES

DANCE CLASSES

COMMUNITY LOUNGE

CHARLES ROSE ARCHITECTS

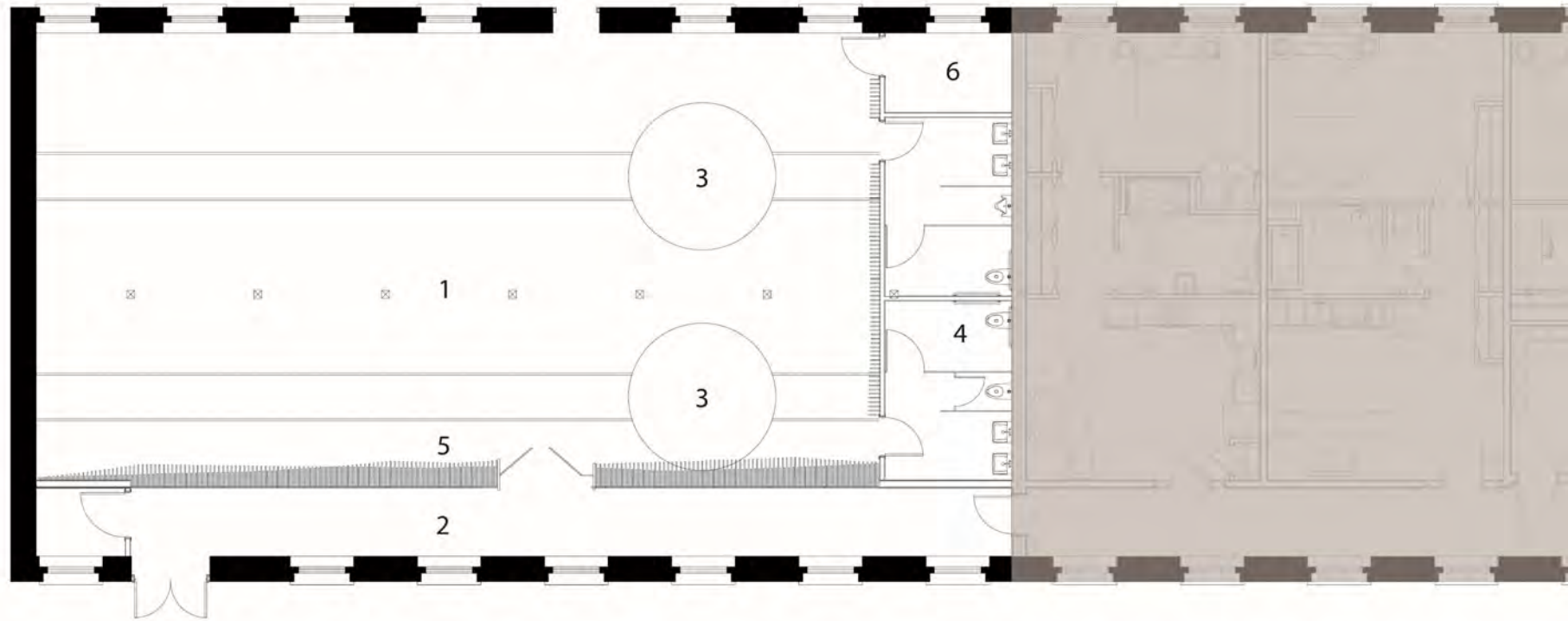
WORKSHOPS
HIGH SCHOOL MUSIC GROUP
MUSIC
LECTURE SERIES
DANCE
COMMUNITY CLASSES
CAFFE
CONCERT
MUSEUM COMPONENT
BOYS AND GIRLS CLUB
COMMUNITY MEETINGS
GALLERY
LOUNGE

WORKSHOPS CAFE CONCERT
HIGH SCHOOL MUSIC GROUP MESSIAH COMPONENT
LEADERSHIP MEETINGS YOUTH GROUPS
DANCE FORUMS MUSIC VARIETALS
COMMUNITY CLASSES LOUNGE

ROPEWALK

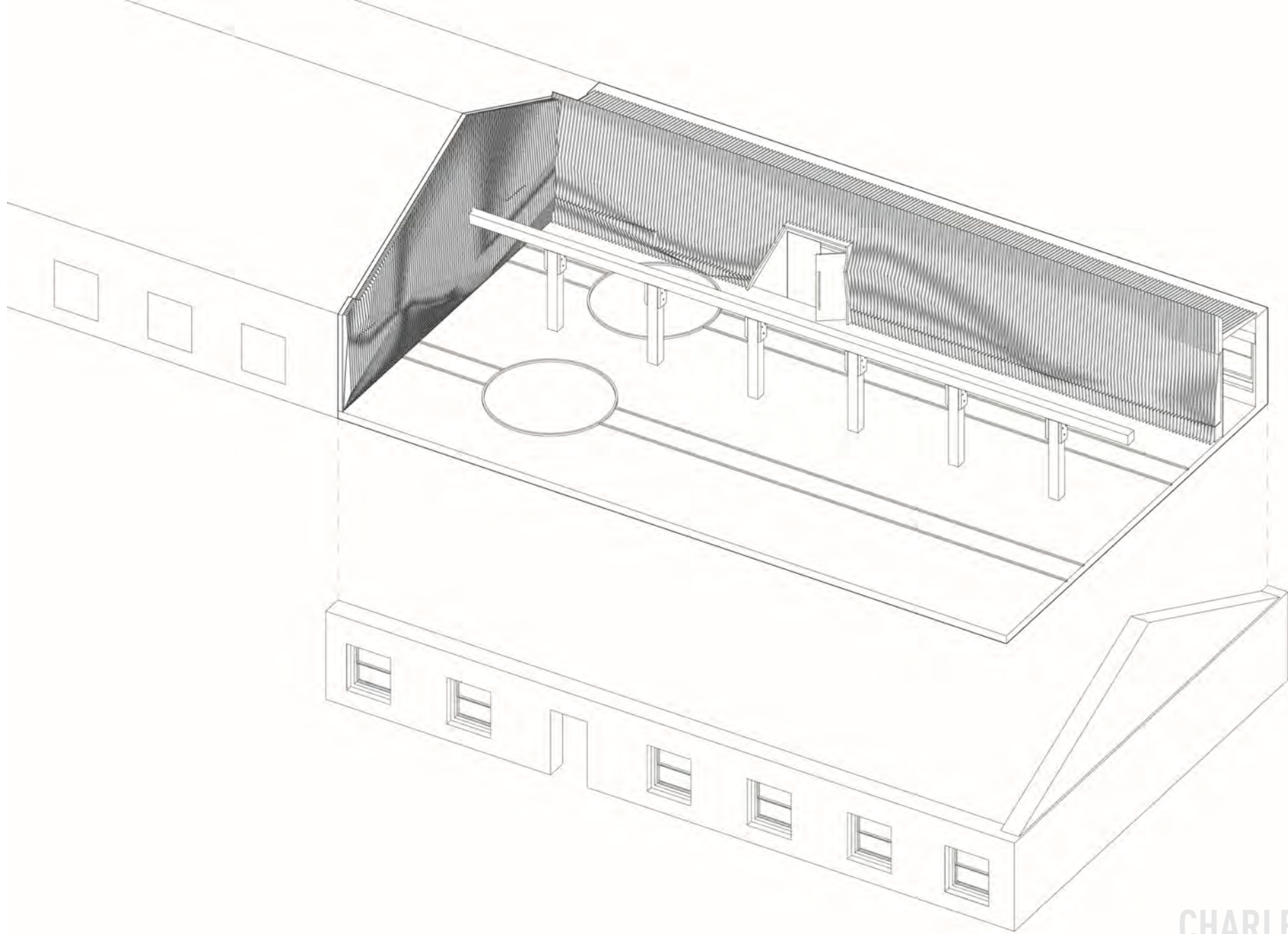
CHARLES ROSE ARCHITECTS

- 1. Open floor plan
- 2. Corridor
- 3. Existing track to be revealed
- 4. Restrooms
- 5. Wood screen with intergrated furniture
- 6. Storage

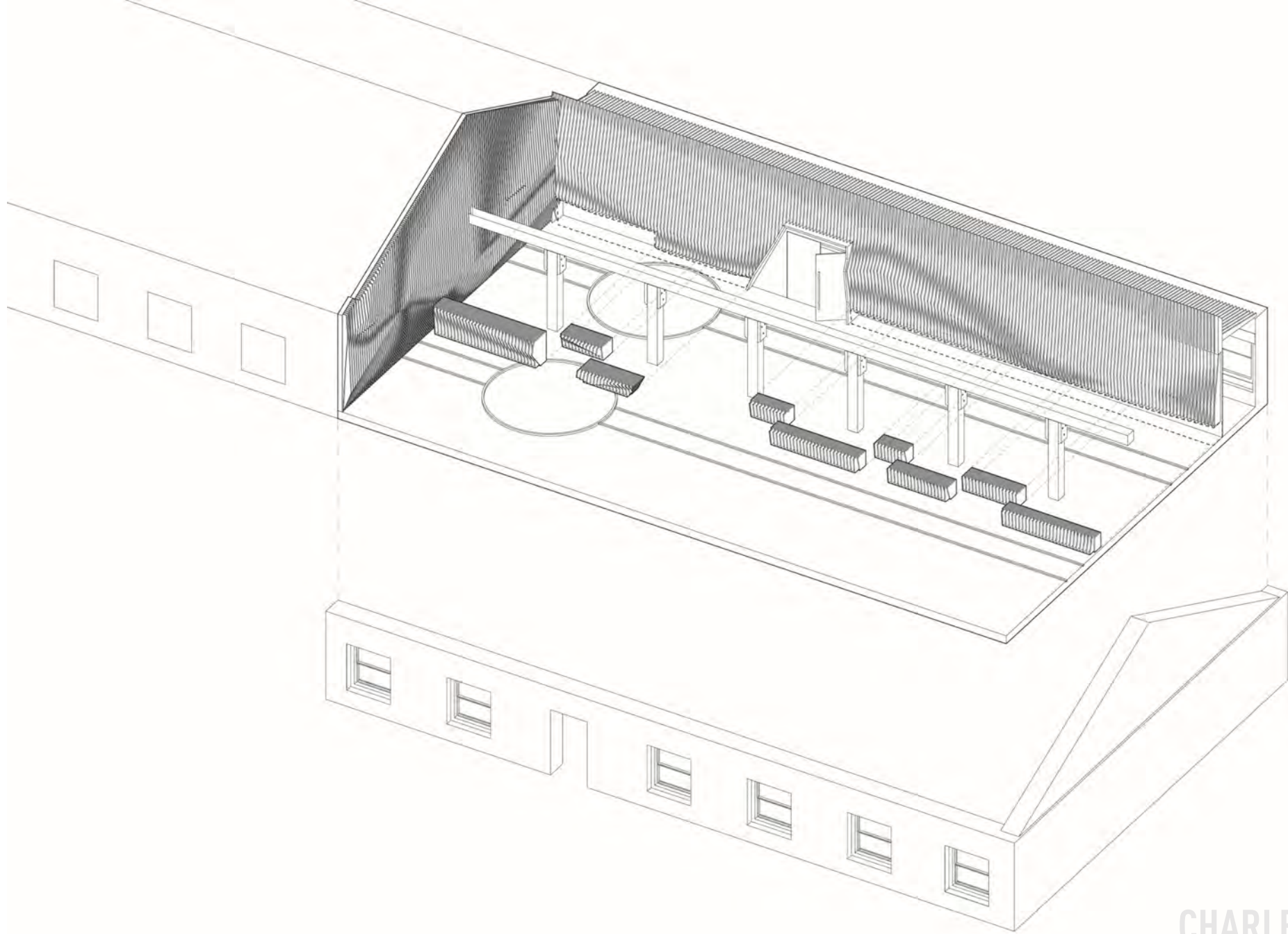


BALEEN

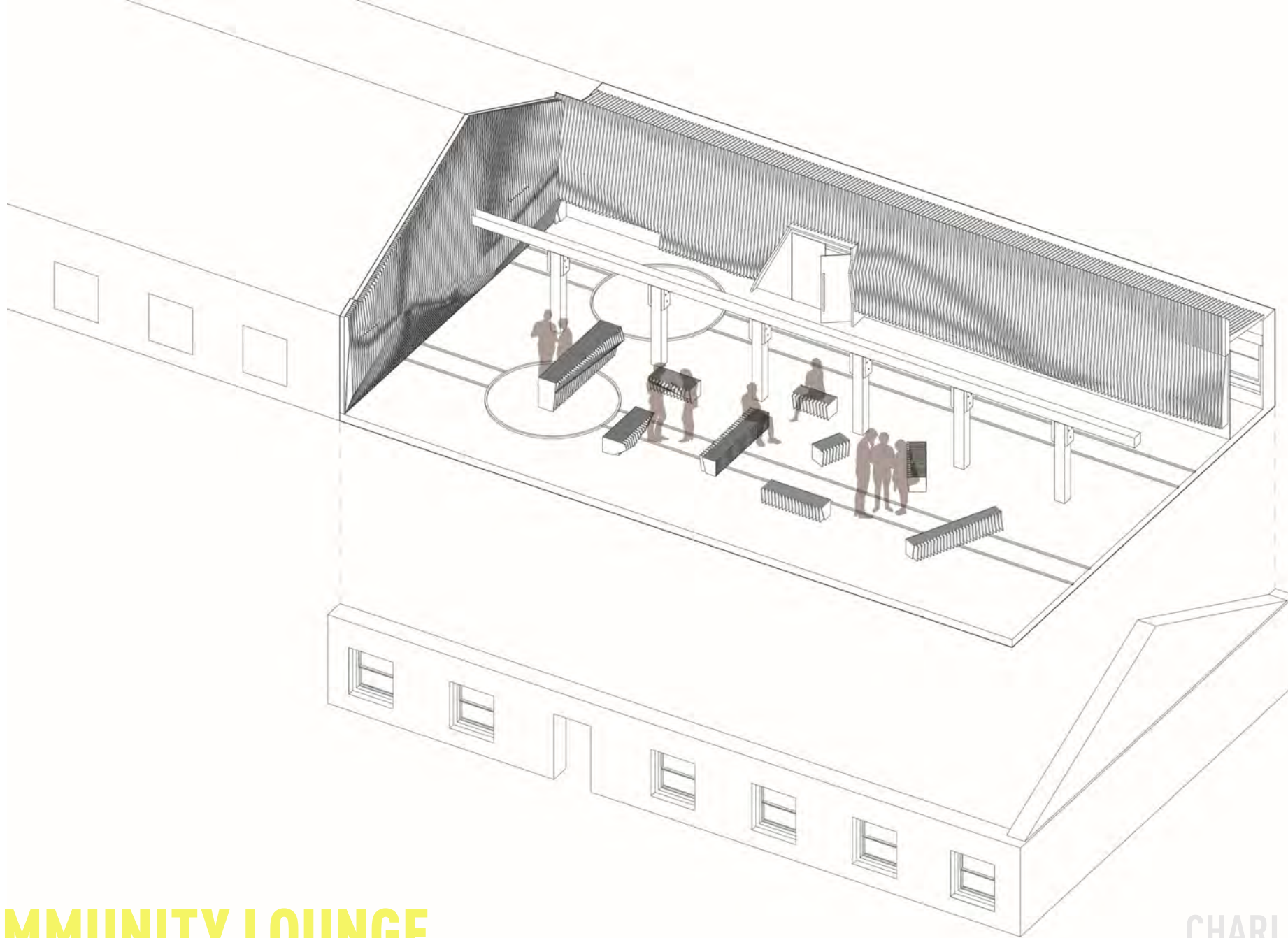
CHARLES ROSE ARCHITECTS



CHARLES ROSE ARCHITECTS



CHARLES ROSE ARCHITECTS



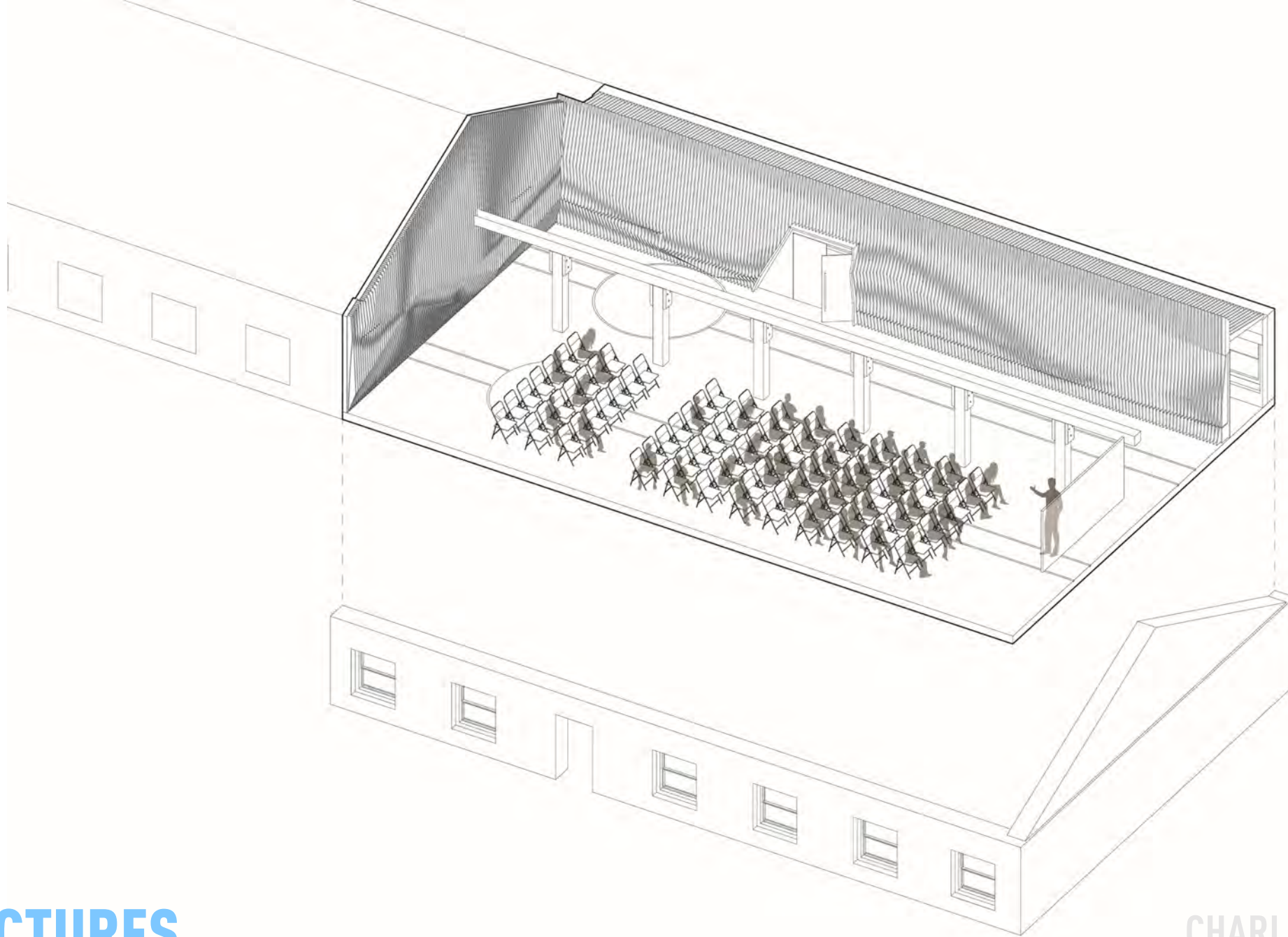
COMMUNITY LOUNGE

CHARLES ROSE ARCHITECTS



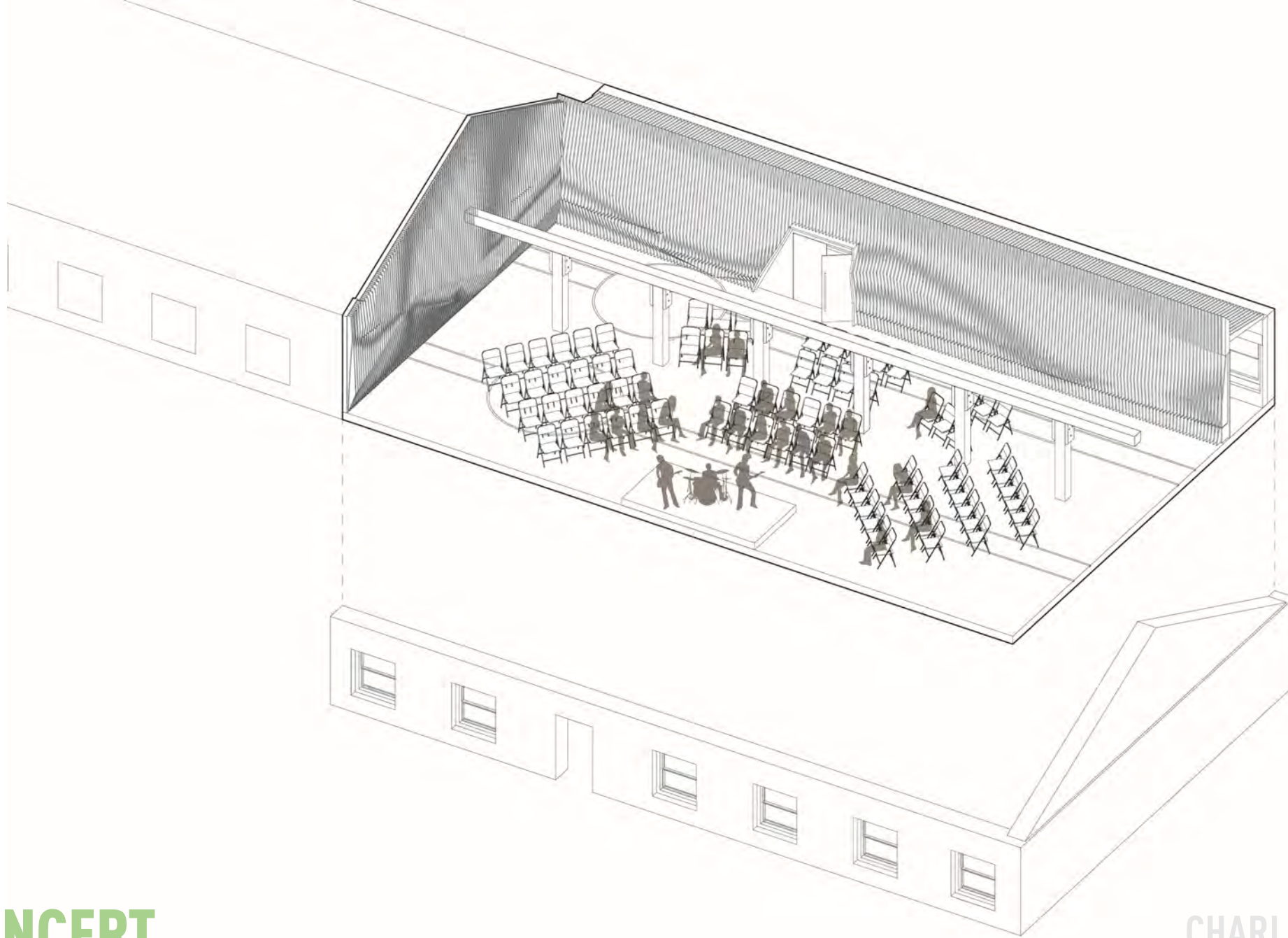
ART GALLERY

CHARLES ROSE ARCHITECTS



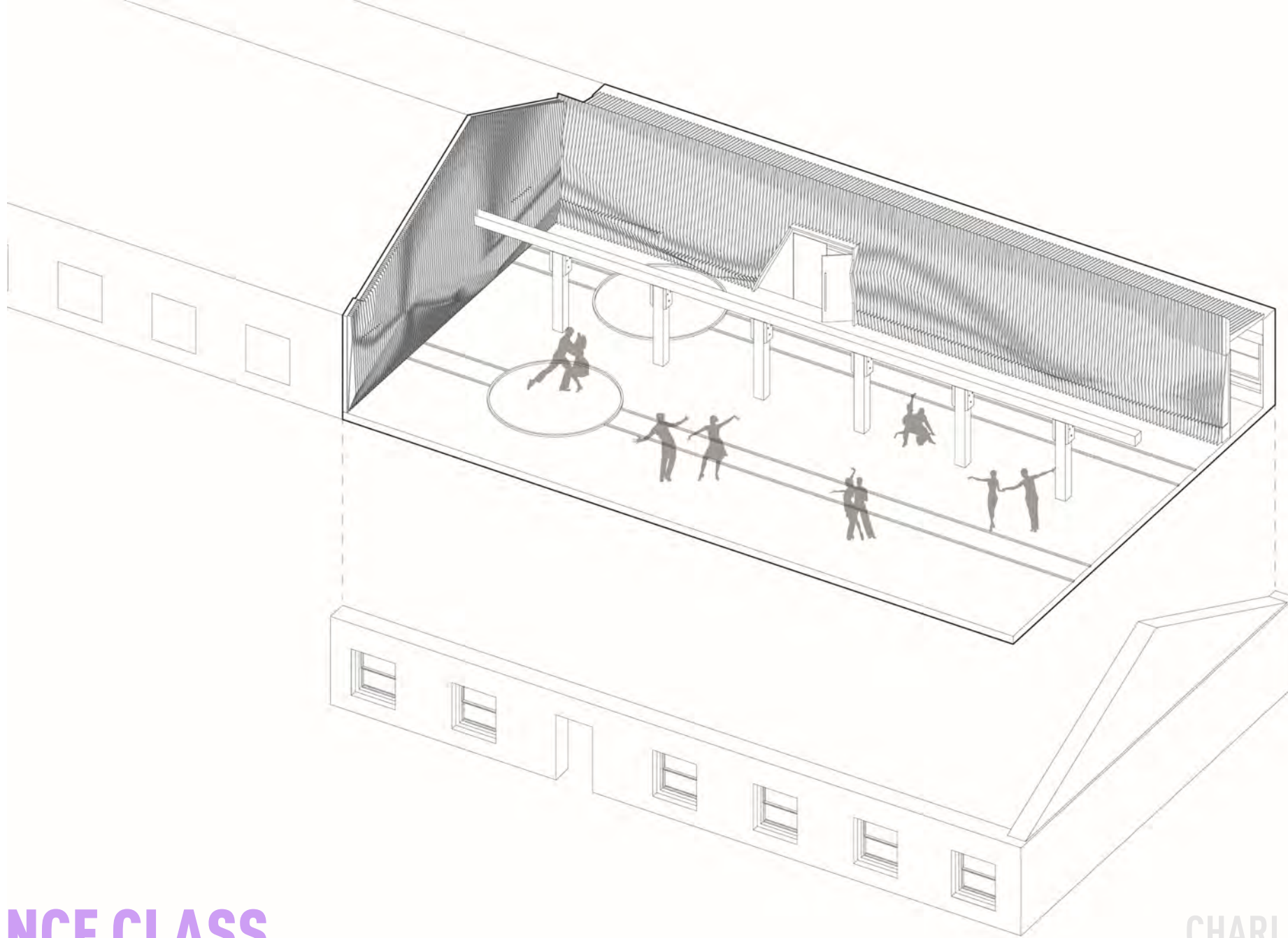
LECTURES

CHARLES ROSE ARCHITECTS



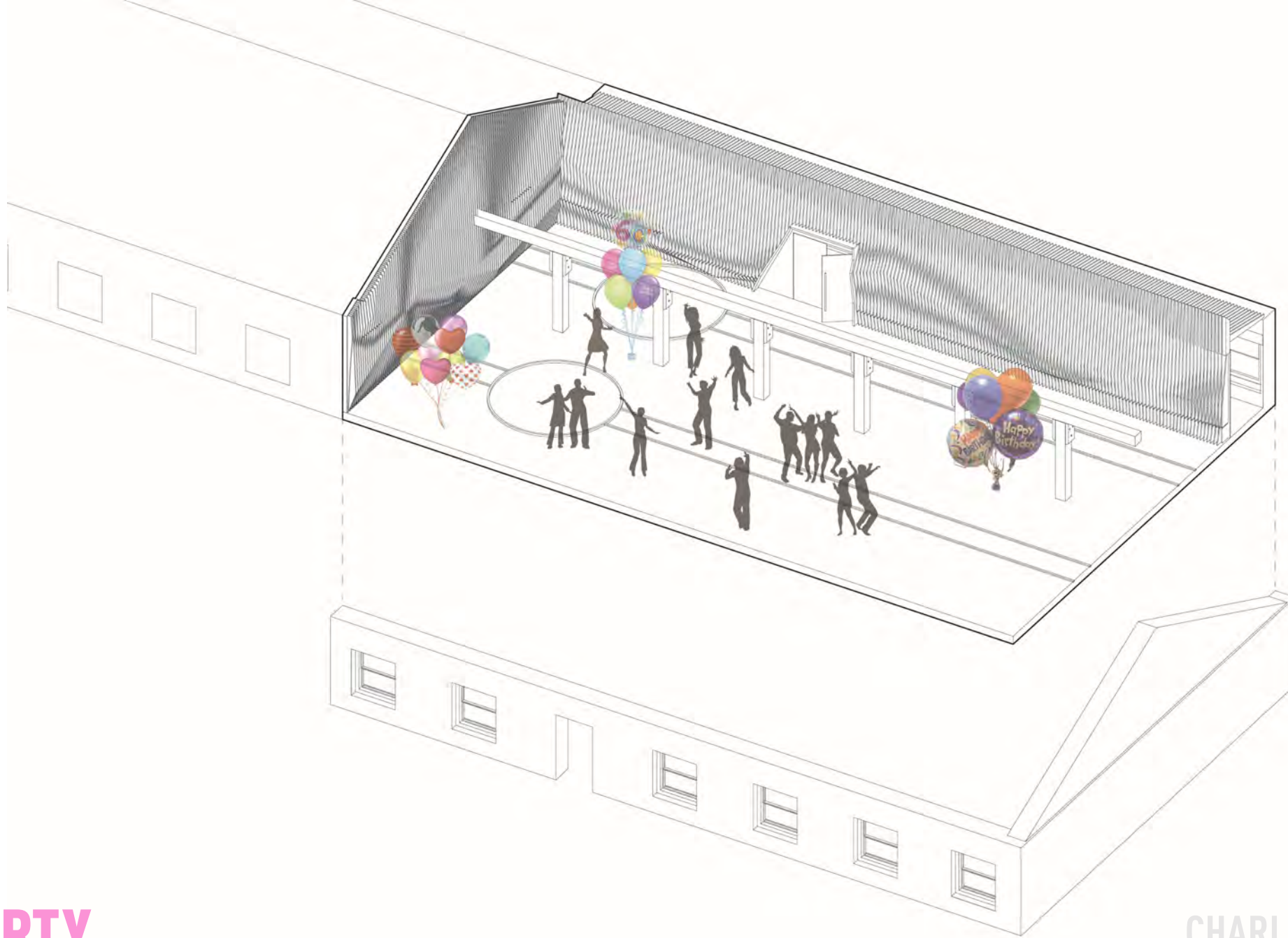
CONCERT

CHARLES ROSE ARCHITECTS



DANCE CLASS

CHARLES ROSE ARCHITECTS



PARTY

CHARLES ROSE ARCHITECTS





CHARLES ROSE ARCHITECTS



CHARLES ROSE ARCHITECTS



CHARLES ROSE ARCHITECTS



CHARLES ROSE ARCHITECTS



CHARLES ROSE ARCHITECTS

ROPEWALK

CHARLES ROSE ARCHITECTS



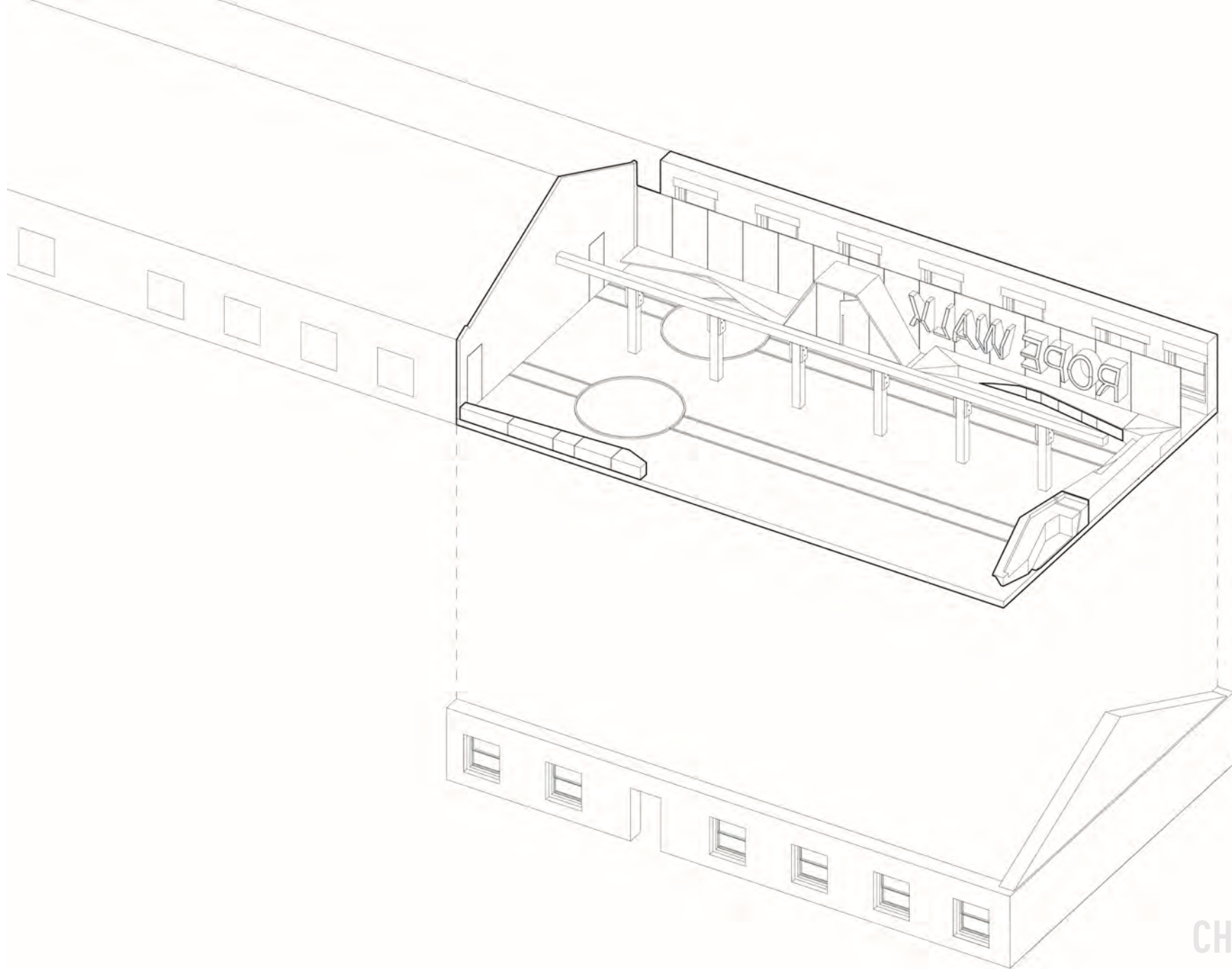
CHARLES ROSE ARCHITECTS



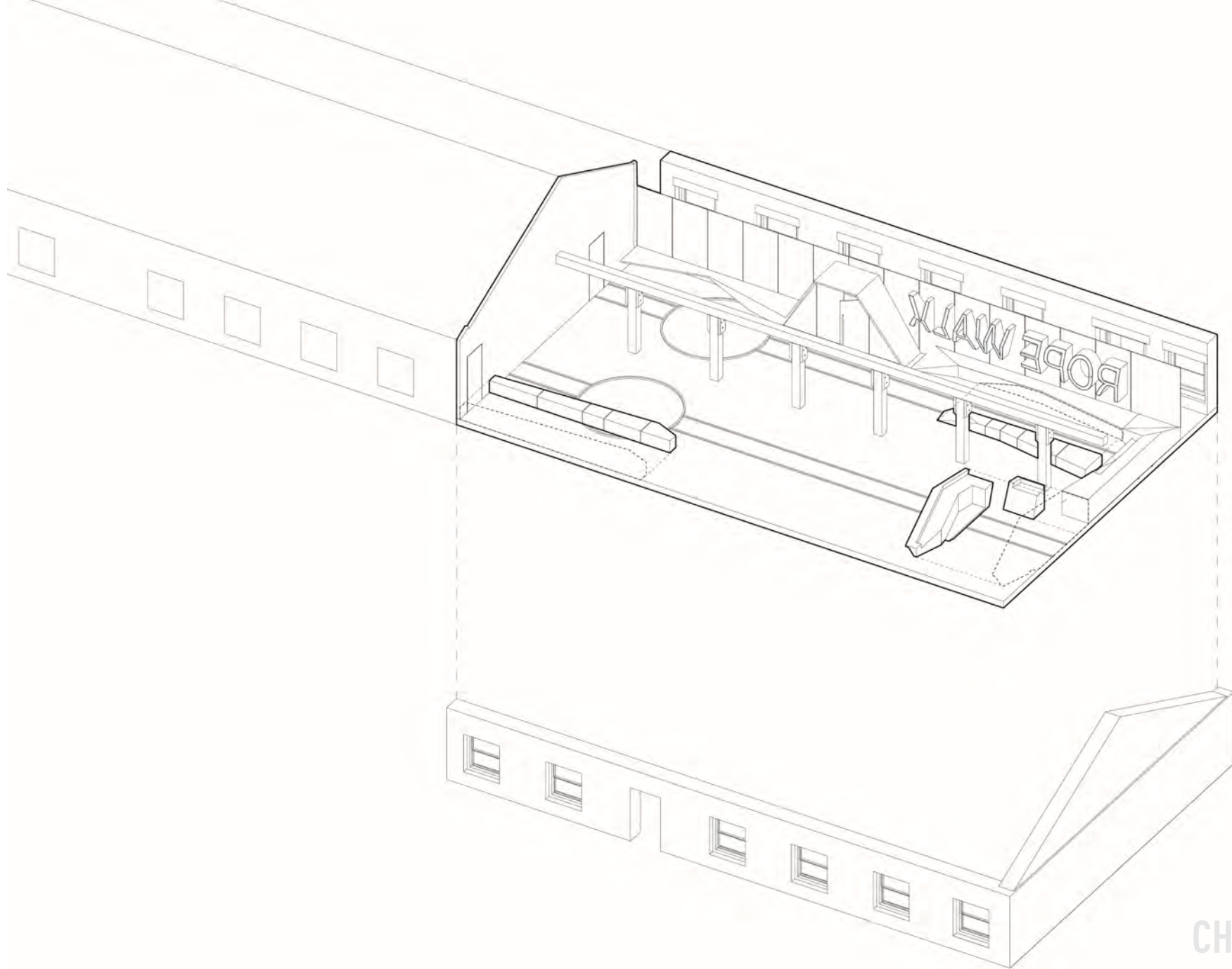
CHARLES ROSE ARCHITECTS

RIBBON

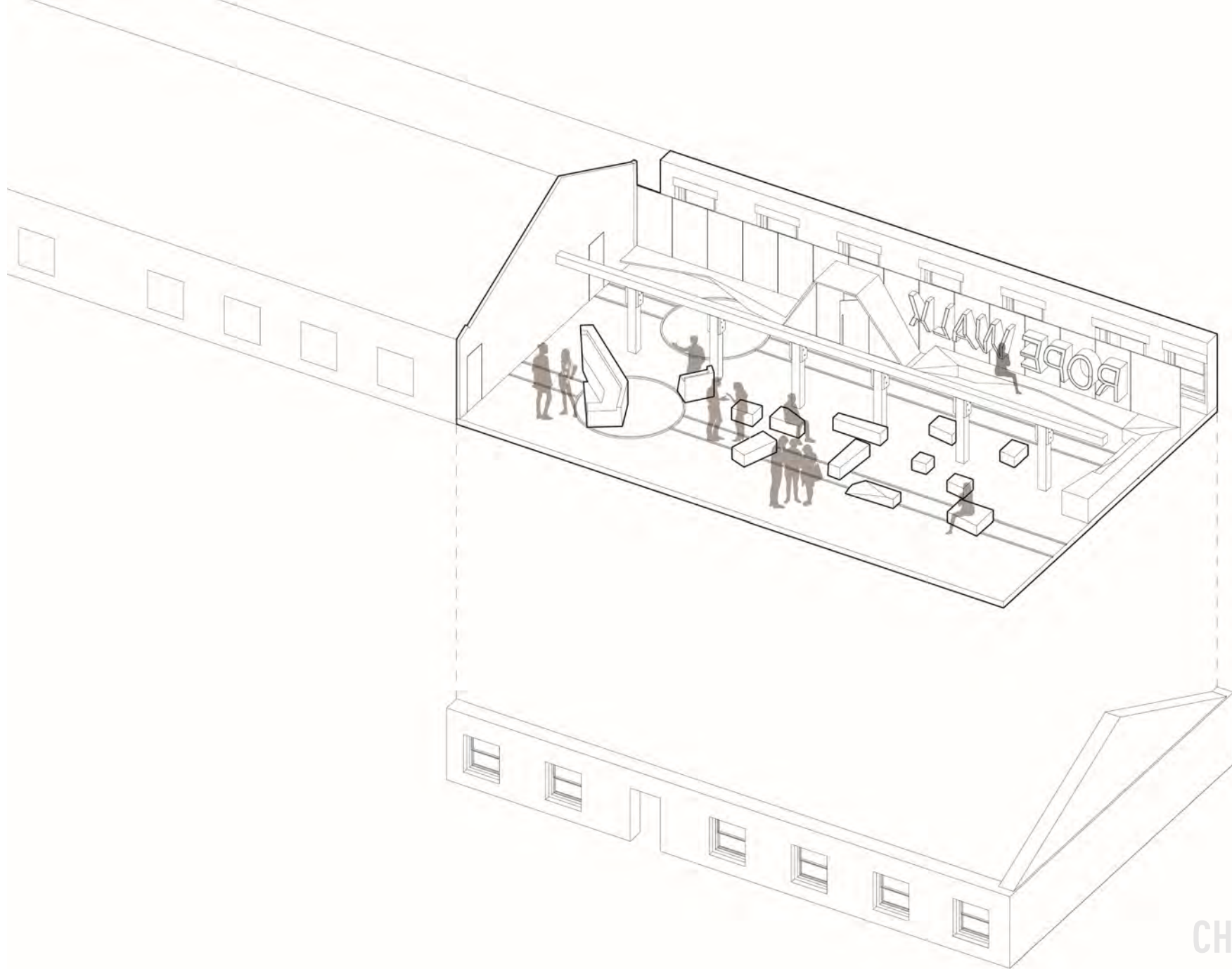
CHARLES ROSE ARCHITECTS



CHARLES ROSE ARCHITECTS



CHARLES ROSE ARCHITECTS



CHARLES ROSE ARCHITECTS



CHARLES ROSE ARCHITECTS



CHARLES ROSE ARCHITECTS



CHARLES ROSE ARCHITECTS



CHARLES ROSE ARCHITECTS



CHARLES ROSE ARCHITECTS



ROPEWALK

